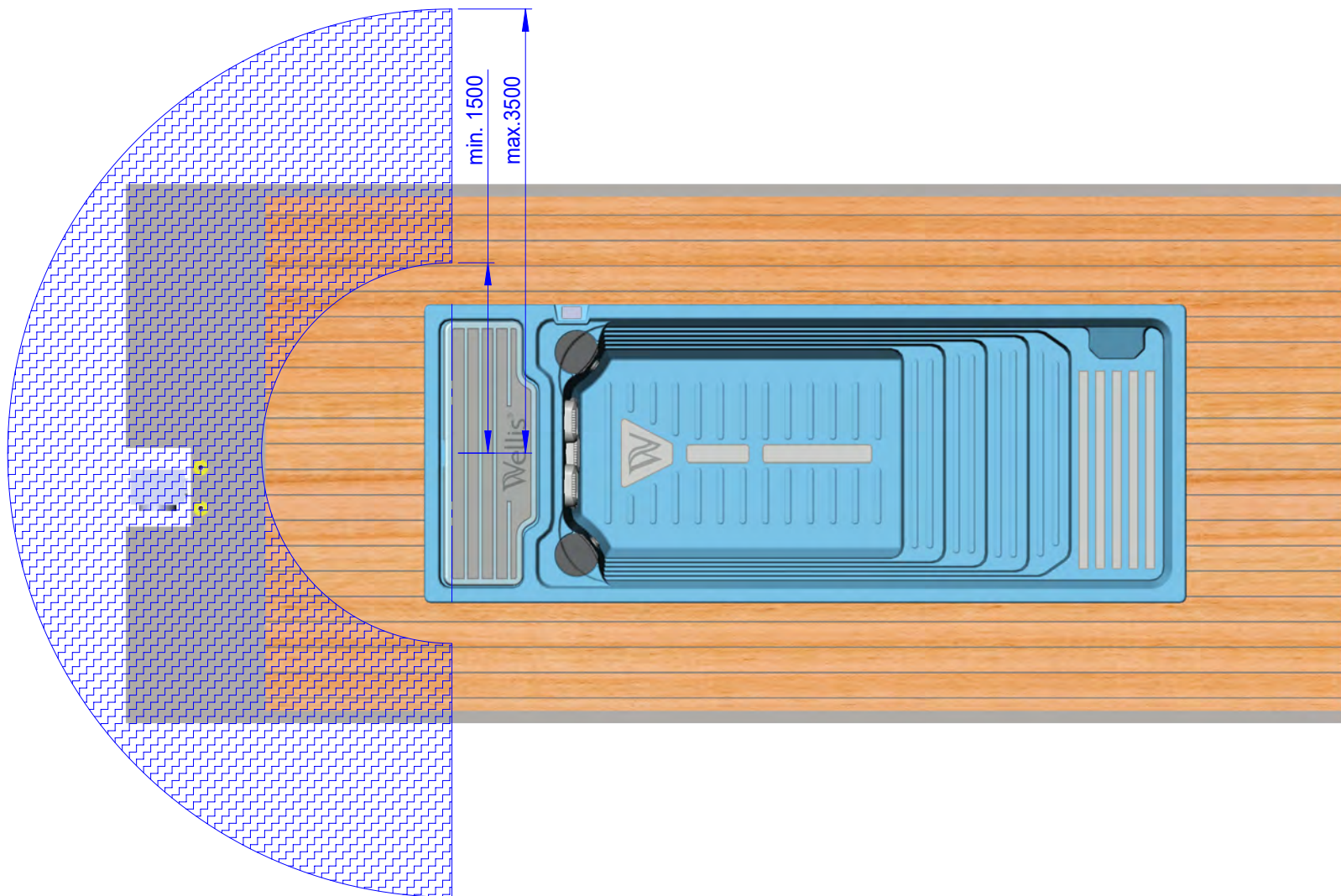


# Optimal location range for heat pump

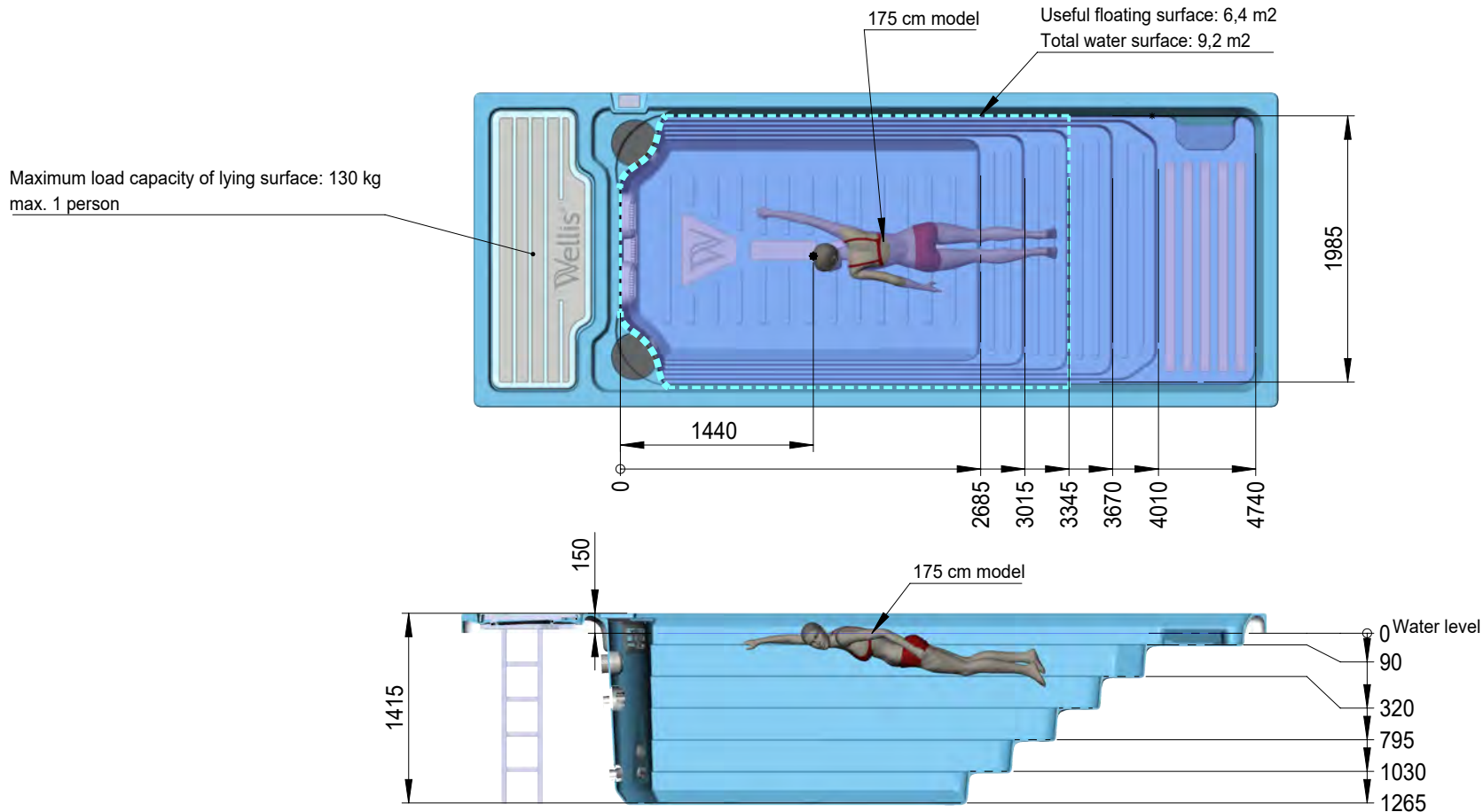
On the external ABS cover of the pool, the heat pump and/or external machine room outlet are not pre-drilled. The holes are designed for the actual external unit attachment must be drilled in the position corresponding to the unit attachment.



Description: Information Beach Club				Rev: A	Projection	Tolerance DIN ISO 16742 T66	 Wellis Magyarország Zrt.
Created: 2025. 03. 14.	Material:	Weight:		M: mm/g/s	Módosítva: 2025. 03. 20.		
Drawer: Sipos Lajos				DOCUMENT HISTORY			Status:
Checked by: Bató Péter	2025. 03. 20.						DABAS ELFOGADOTT
Approved by: Körtvélyesi Csaba	2025-03-20	A	2025. 03. 18.	Új rajz	S.L.	Art. No.: WU00053 WU00054	
Drawing number: 6000x2350x1470 Beach Club úszómedence információs lap				Rev	Date	Change descr.	Name
				A4	M 1:100	page 7 / 12	

This document is for the WU00053 Beach Club Deluxe and WU00054 Beach Club Premium swim spa

# Optimum water level and water level dimensions



Description: Information Beach Club				Rev: A		Projection		Tolerance DIN ISO 16742 T66			
Created: 2025. 03. 14.		Material:		Weight:		M: mm/g/s		Módosítva: 2025. 03. 20.		Wellis Magyarország Zrt.	
Drawer: Sipos Lajos				DOCUMENT HISTORY				Status:			
Checked by: Bató Péter		2025. 03. 20.						DABAS ELFOGADOTT			
Approved by: Körtvélyesi Csaba		2025-03-20		A		2025. 03. 18.		Új rajz		S.L.	
Drawing number: 6000x2350x1470 Beach Club úszómedence információs lap				Rev		Date		Change descr.		Name	
				A4		M 1:100		page 8 / 12			

This document is for the WU00053 Beach Club Deluxe and WU00054 Beach Club Premium swim spa

# Swim spa cover

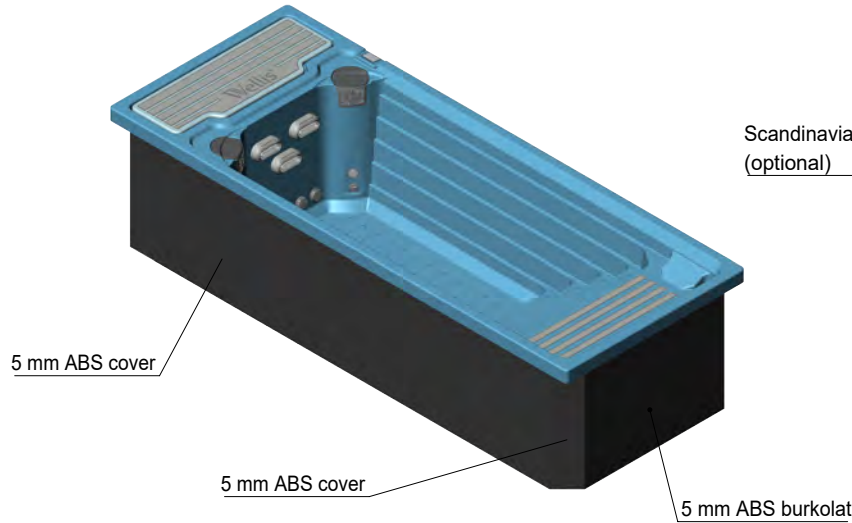
**Standard equipment 5 mm ABS cover all round (side-down)**

**Scandinavian insulation (optional)**

**The insulation is not UV stable and must be protected from the sun**

**Freestanding placement**

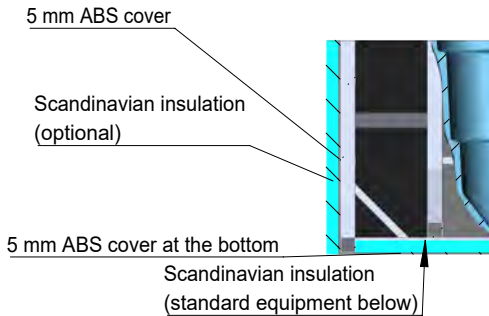
If you do not want the recessed design, the product is equipped with a 5 mm ABS cover, which is optionally provided with Scandinavian insulation. The insulation is not UV stable and must be covered from the sun. The cover cannot be attached to the pool, but can be wrapped around with any other external cover that covers the insulation.



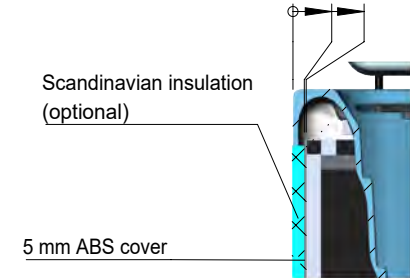
Scandinavian insulation (optional)




**Swim spa insulation (optional) layering**



**Below the swim spa edge**



This document is for the WU00053 Beach Club Deluxe and WU00054 Beach Club Premium swim spa

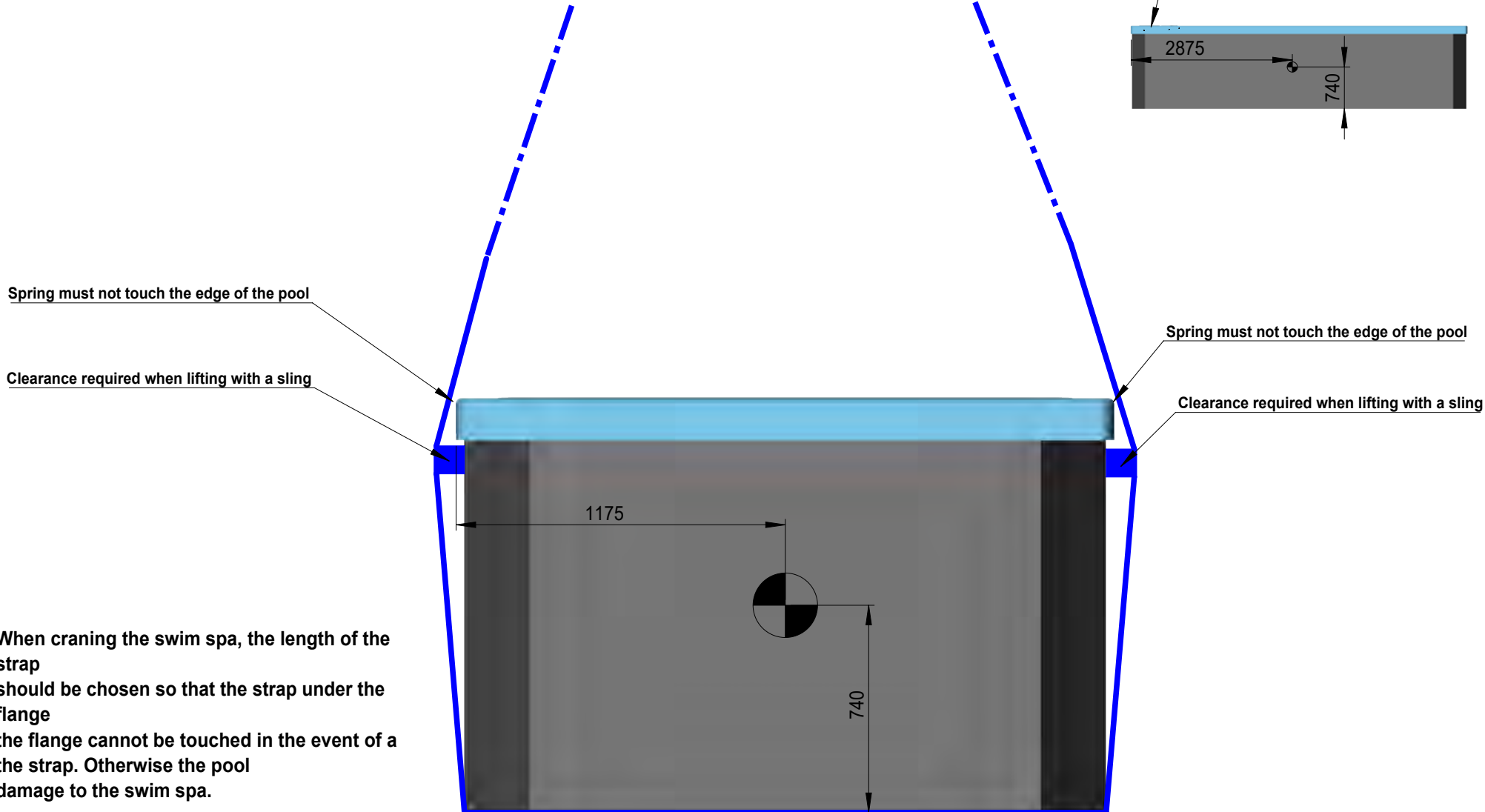
Description: Information Beach Club				Rev: A	Projection: $\leftarrow \oplus$	Tolerance: DIN ISO 16742 T66	 Wellis Magyarország Zrt.
Created: 2025. 03. 14.	Material:	Weight:		M: mm/g/s	Módosítva: 2025. 03. 20.		
Drawer: Sipos Lajos				DOCUMENT HISTORY Status: <b>DABAS ELFOGADOTT</b>			Art. No.: WU00053 WU00054
Checked by: Bató Péter	2025. 03. 20.						
Approved by: Körtvélyesi Csaba	2025-03-20	A	2025. 03. 18.	Új rajz	S.L.		
Drawing number: 6000x2350x1470 Beach Club úszómedence információs lap				Rev	Date	Change descr.	Name
				A4	M 1:100		page 9 / 12

Last modified version: xx

Last modified by: xxxxxx xxxxx

Last modified date: xxxx.xx.xx.

# Craning the swim spa



Spring must not touch the edge of the pool

Clearance required when lifting with a sling

Spring must not touch the edge of the pool

Clearance required when lifting with a sling

When craning the swim spa, the length of the strap should be chosen so that the strap under the flange cannot be touched in the event of a the strap. Otherwise the pool damage to the swim spa.

Lifting the pool is only **certified**, **lifting frame of adequate lifting capacity** or **lifting beams** which prevent movement of the straps.

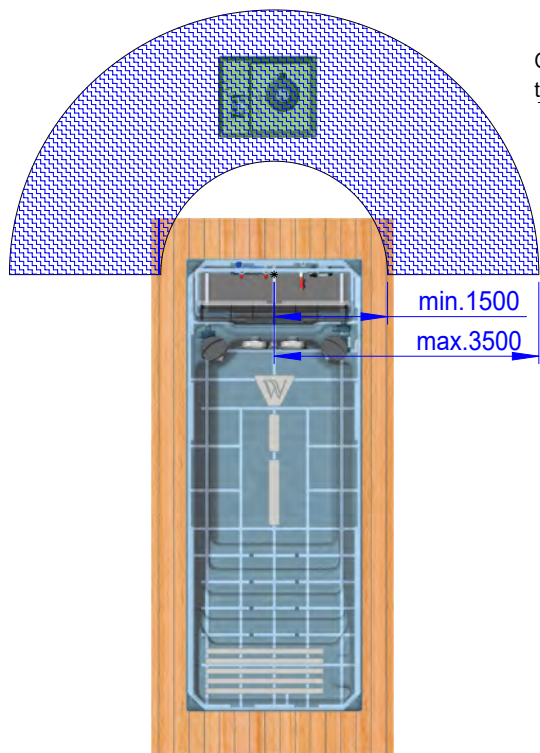
Description: Information Beach Club				Rev: A	Projection	Tolerance DIN ISO 16742 T66	Wellis® Wellis Magyarország Zrt.
Created: 2025. 03. 14.	Material:	Weight:		M: mm/g/s	Módosítva: 2025. 03. 20.		
Drawer: Sipos Lajos				DOCUMENT HISTORY			Status:
Checked by: Bató Péter	2025. 03. 20.					<b>DABAS ELFOGADOTT</b>	
Approved by: Körtvélyesi Csaba	2025-03-20	A	2025. 03. 18.	Új rajz	S.L.	Art. No.: WU00053 WU00054	
Drawing number: 6000x2350x1470 Beach Club úszómedence információs lap				Rev	Date	Change descr.	Name
				A4	M 1:100		page 10 / 12

# Machine shaft location (sold separately)

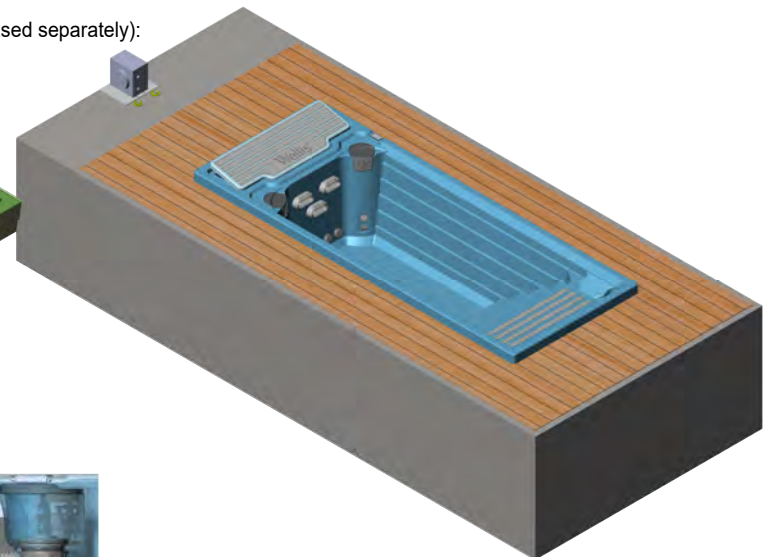
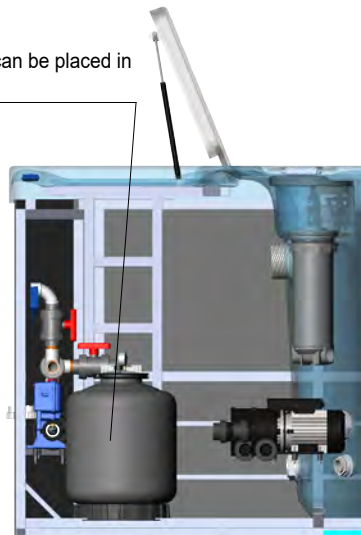
Machine shaft (accessories and machine housing can be purchased separately):

1. WE00219 Mechanical shaft for pool
2. ABE0114 Sand filter tank S650
3. ABE 0130 Sand filter tank S450
4. ACM0707 Chemical dispenser - CL with probe

Optimal location range for a machine shaft



Only the ABE0130 Sand Filter Tank S450 size can be placed in the pool's own machine shaft.



On the external ABS cover of the pool, the heat pump and/or external machine room outlet are not pre-drilled. The holes are designed for the actual external unit attachment must be drilled in the position corresponding to the unit attachment.

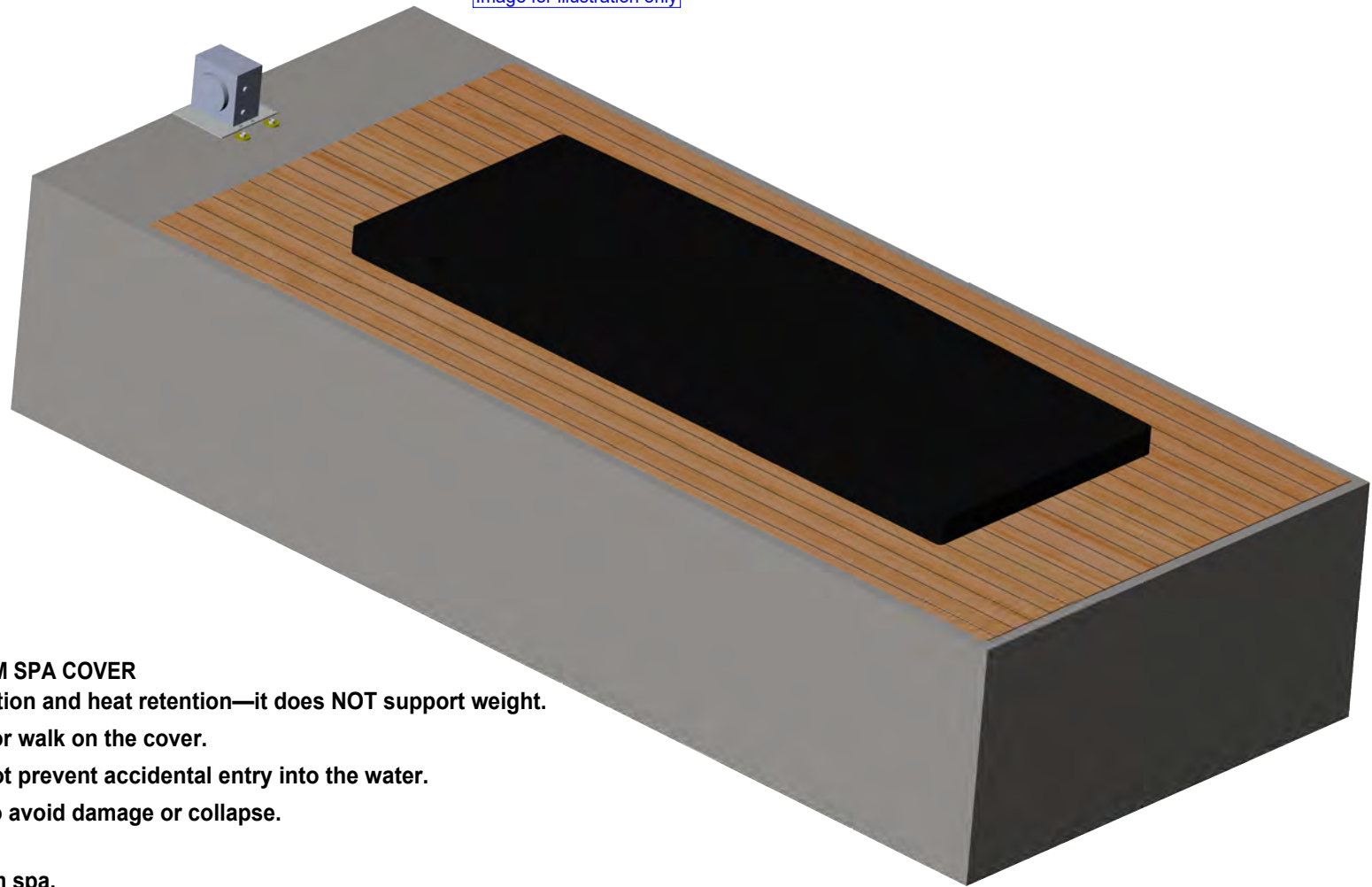
Only the ABE0130 Sand filter tank size S450 can be installed in the pool's own machine shaft. **It is forbidden to place a chemical dispenser in the pool's own machine shaft!** ABE0114 Sand filter tank size S650 and ACM0707 Chemical dispenser (or any other chemical dispenser purchased from Wellis) may only be placed in a separate machine shaft from the pool.

Description: Information Beach Club				Rev: A		Projection		Tolerance DIN ISO 16742 T66			
Created: 2025. 03. 14.		Material:		Weight:		M: mm/g/s		Módosítva: 2025. 03. 20.		Wellis Magyarország Zrt.	
Drawer: Sipos Lajos				DOCUMENT HISTORY				Status:			
Checked by: Bató Péter		2025. 03. 20.						DABAS ELFOGADOTT			
Approved by: Körtvélyesi Csaba		2025-03-20		A		2025. 03. 18.		Új rajz		S.L.	
Drawing number: 6000x2350x1470 Beach Club úszómedence információs lap				Rev		Date		Change descr.		Name	
				A4		M 1:20		page 11 / 12			

Ez a dokumentum a WU00053 Beach Club Deluxe és WU00054 Beach Club Prémium medencékre vonatkozik.

# Swim spa cover information

[Image for illustration only](#)



## Swim Spa Safety Warning!

**WARNING: DO NOT STEP OR SIT ON THE SWIM SPA COVER**

This cover is designed exclusively for insulation and heat retention—it does NOT support weight.

- ⊘ Never allow children or pets to climb, sit, or walk on the cover.
- ⊘ The cover is not a safety barrier—it will not prevent accidental entry into the water.
- ⊘ Do not place heavy objects on the cover to avoid damage or collapse.

### For safety:

- ✓ Always supervise children around the swim spa.
- ✓ Keep the cover securely fastened when not in use.
- ✓ Use approved safety measures like a locking cover or additional barriers.

Failure to follow these safety precautions may result in injury or damage to the cover.

Always cover the back of the pool when in use.

The pool without water should not be exposed to direct

direct sunlight.

Stay safe and enjoy your Wellis Swim Spa responsibly!

Description: Information Beach Club				Rev: A	Projection	Tolerance DIN ISO 16742 T66	 Wellis Magyarország Zrt.
Created: 2025. 03. 14.	Material:	Weight:		M: mm/g/s	Módosítva: 2025. 03. 20.		
Drawer: Sipos Lajos			DOCUMENT HISTORY			Status:	
Checked by: Bató Péter	2025. 03. 20.					DABAS ELFOGADOTT	
Approved by: Körtvélyesi Csaba	2025-03-20	A	2025. 03. 18.	Új rajz	S.L.	Art. No.: WU00053 WU00054	
Drawing number: 6000x2350x1470 Beach Club úszómedence információs lap				Rev	Date	Change descr.	Name
				A4	M 1:100	page 12 / 12	

This document is for the WU00053 Beach Club Deluxe and WU00054 Beach Club Premium swim spa